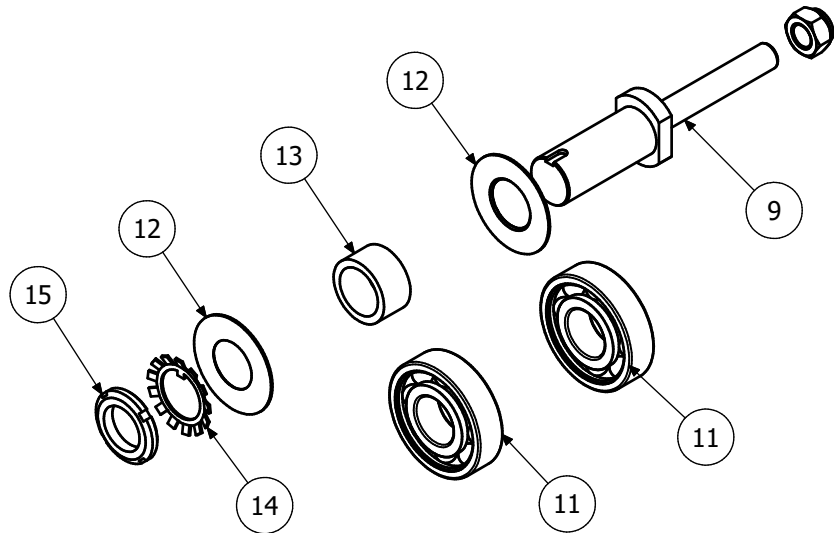
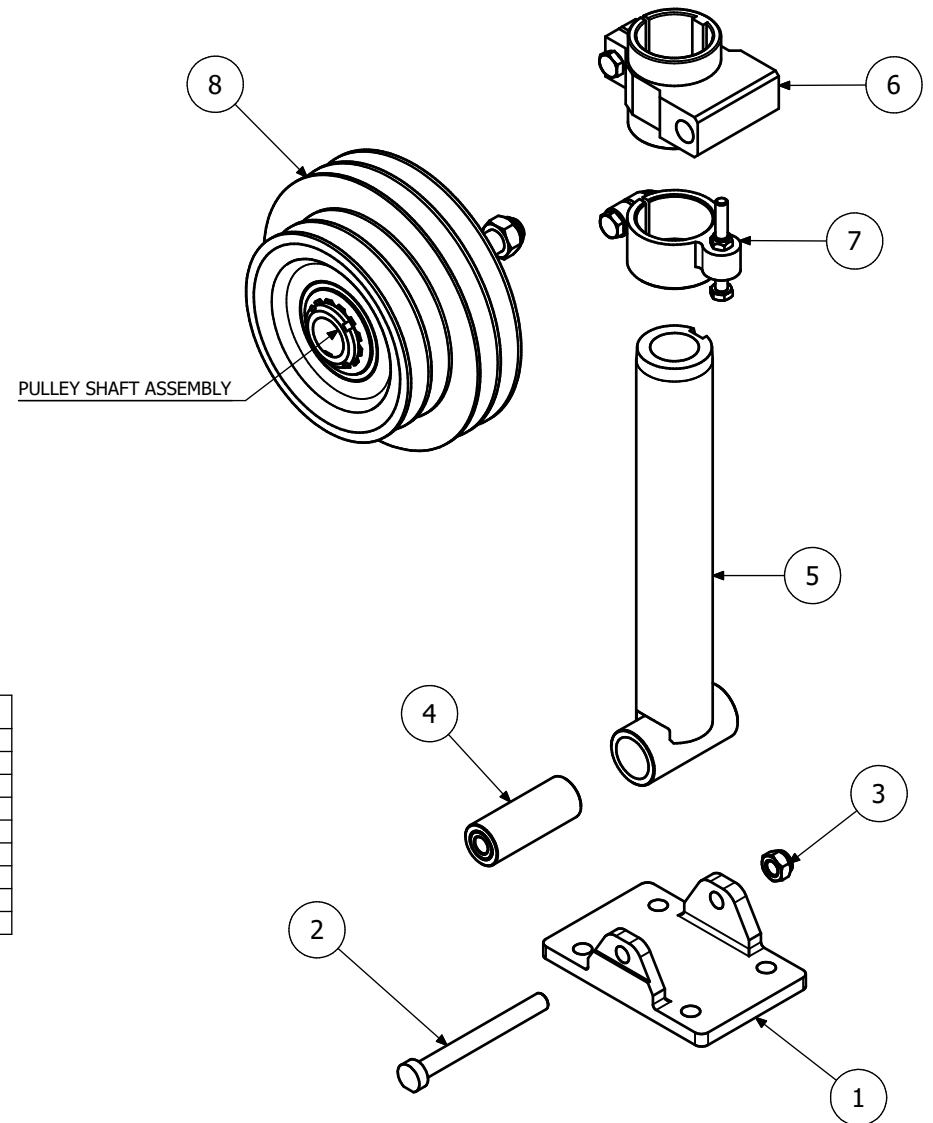


PULLEY SHAFT ASSEMBLY



IDLER ASSEMBLY



PARTS LIST

ITEM	PART NUMBER	DESCRIPTION
1	GOK-AAA-019	FOOT PLATE
2	GOK-AAA-003	PIVOT PIN
3	NUT-M12-NY	M12 x 1.75 NYLOC NUT
4	GOK-AAA-022	PIVOT BUSH CARTRIDGE
5	GOK-AAA-020	ADJUSTER ARM
6	GOK-AAA-021	SLIDING BLOCK
7	GOK-AAA-005	FIXED BLOCK
8	GOK-AAP-(PULLEY ID)	SEE PULLEY LIST
9	GOK-AAA-009	PULLEY SHAFT
10	NUT-M16-NY	M16 x 2.0 NYLOC NUT
11	GOK-AAA-015	DEEP GROOVE BALL BEARING
12	GOK-AAA-007	BEARING COVER
13	GOK-AAA-008	SPACER
14	LOCKWASHER-AW06	LOCKWASHER - AW06 - 30 DIA
15	LOCKNUT-AN06	LOCKNUT - AN06 - M30 x 1.5

PULLEY LIST

ITEM	PULLEY ID	RATIO
16	126/176	0.72 : 1
17	129/198	0.65 : 1
18	139/198	0.70 : 1
19	150/185	0.81 : 1
20	150/200	0.75 : 1
21	158/178	0.89 : 1
22	168/4A	1 : 1
23	168/4B	1 : 1

TOLERANCE
LINEAR:
 0 ± 0.5 UNO
 0.0 ± 0.1 UNO
 0.00 ± 0.05 UNO
ANGULAR:
 0 ± 0.5° UNO
 0.0 ± 0.05 UNO
 THREADS: 0 - 0.02 UNO
 CONCENTRICITY: ± 0.05 UNO
 FABRICATION: 0 = 2.5 UNO
 SURFACE FINISH: 3.2 μm UNO



www.gokert.com.au

Material N/A	Drawn by JL	Checked by GA	COPY OF CONTROLLED DOCUMENT. UNCONTROLLED IF PRINTED / DOWNLOADED EFFECTIVE:- 12-Jan-17 APPROVED:- IM	Date 12-Jan-17
Description Idler Assembly Parts Diagram				Mass N/A
Company G&O Kert Pty Ltd		Part Number GOK-AAA-(PULLEY ID)-ASSY	Revision 0	Sheet 1 / 1